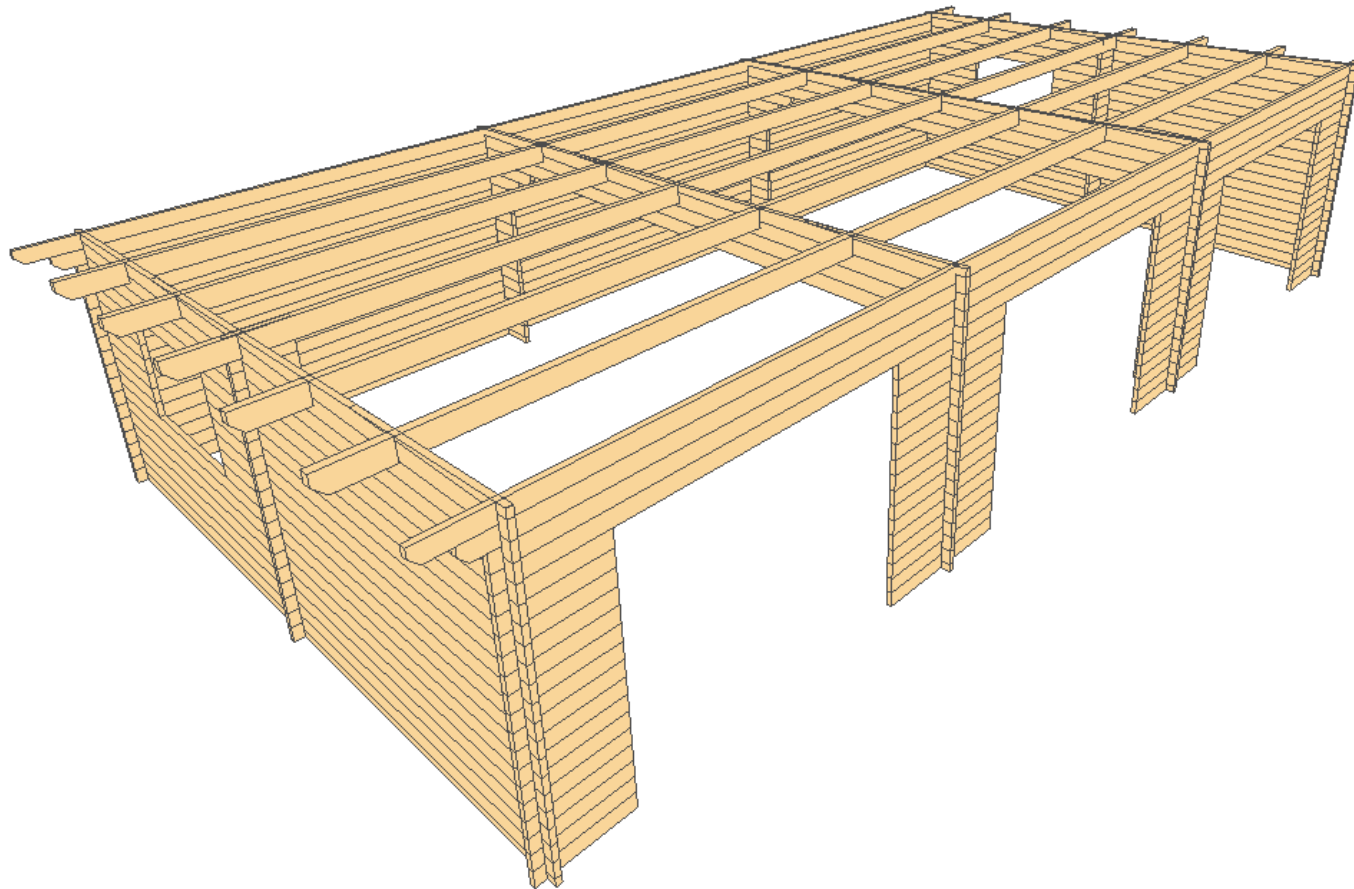
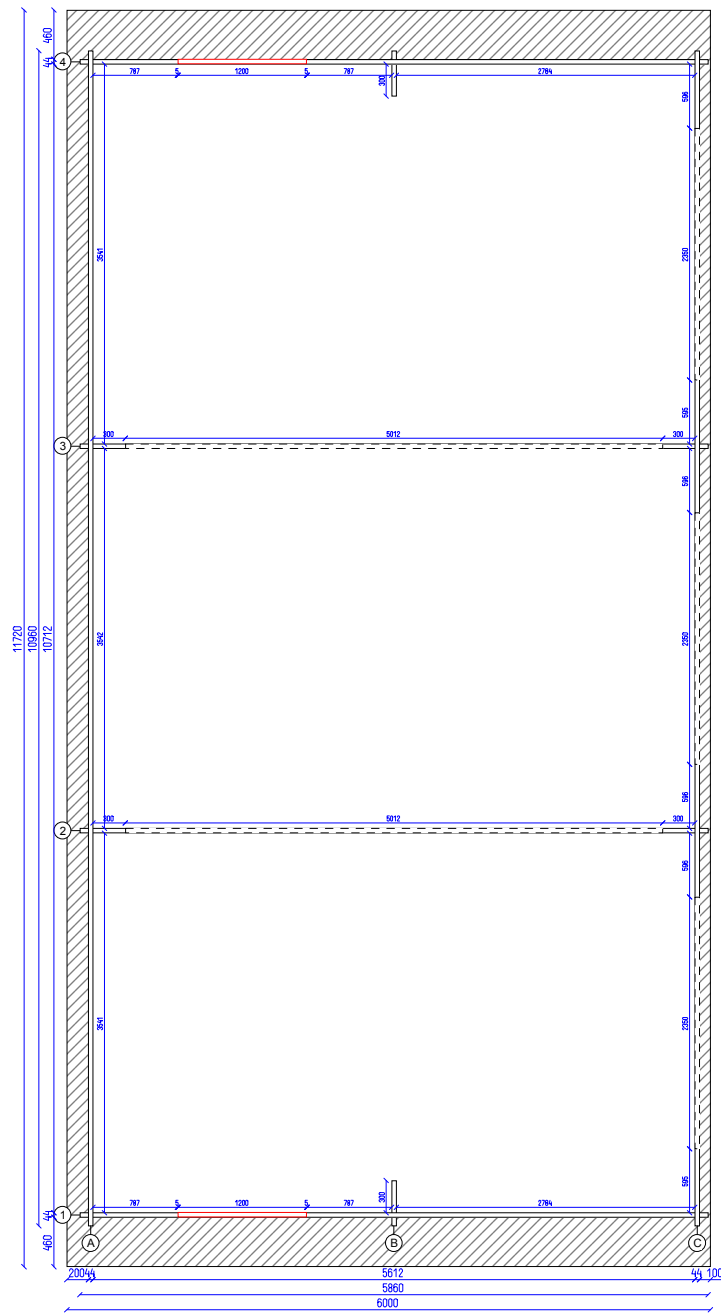




sarl Revonsbois
route de mirande
32230 marciac
Tel : 05.62.08.17.86
Fax : 05.62.08.17.66
Email : info@revonsbois.com



			G45/57/108TP	
			Sheet	Of
			1	10

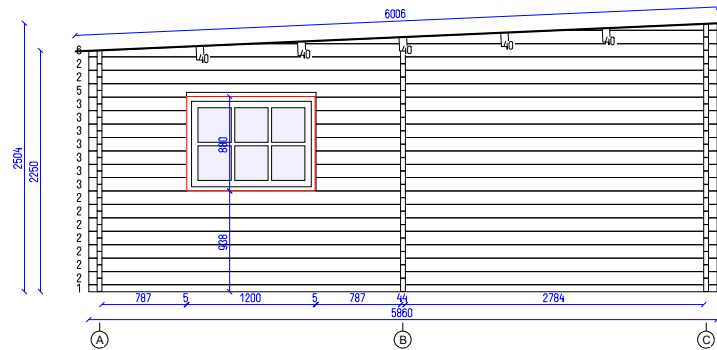


GARAGE TRIPLE

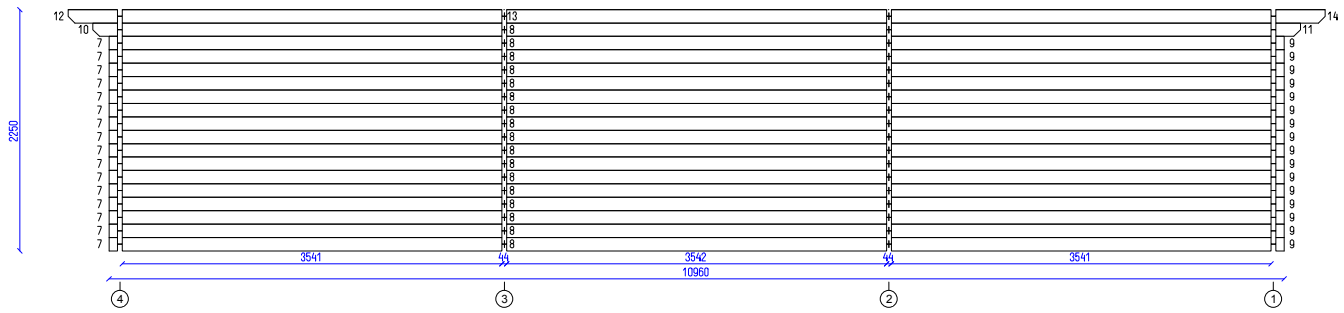
Ground plan

Sheet
2

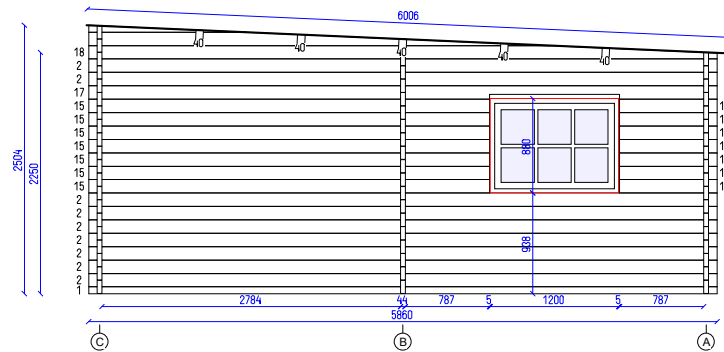
Of
10



GARAGE TRIPLE		
Wall 1	Sheet 3	Of 10



GARAGE TRIPLE		
Wall A	Sheet 4	Of 10

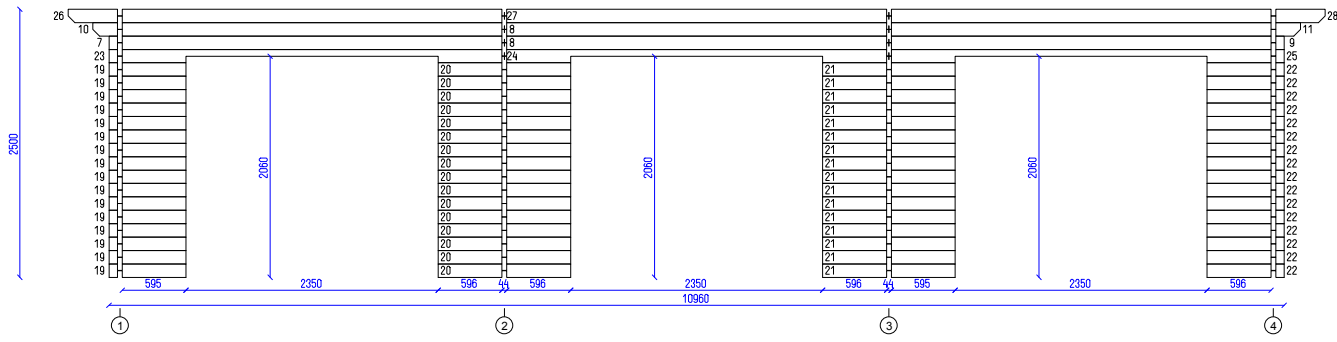


GARAGE TRIPLE

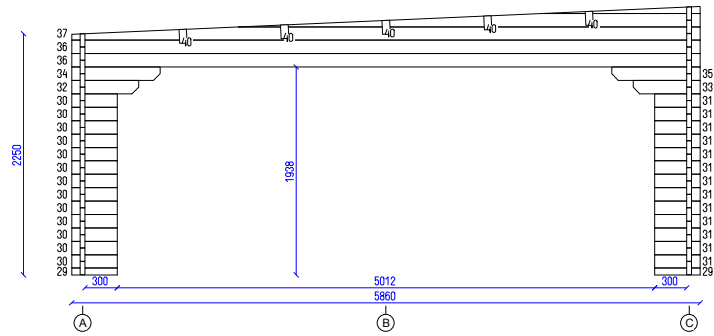
Wall 4

Sheet
5

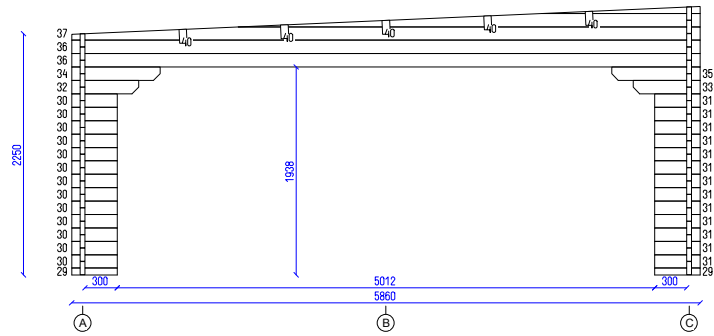
Of
10



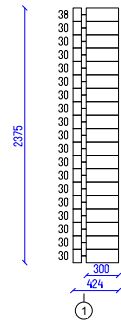
GARAGE TRIPLE		
Wall C	Sheet 6	Of 10



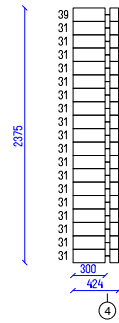
GARAGE TRIPLE		
Wall 2	Sheet 7	Of 10



GARAGE TRIPLE		
Wall 3	8	10



GARAGE TRIPLE		
	Sheet	Of
Wall B	9	10



GARAGE TRIPLE		
Wall B	Sheet 10	Of 10